

# Rexarc

INTERNATIONAL, INC.

## GENERATOR WATER/TEMPERATURE CONTROLS UPGRADE

Designed for Model AX and ATX Generators  
to eliminate the pains of air operated controls.



### UPGRADE FUNCTIONALITY OVERVIEW

#### NORMAL FUNCTIONING

When the temperature reaches a pre-set point, a solenoid is activated to add water to the generator and prevents carbide from being added.

#### ADDITION OF WATER

Water is added when activated by temperature or when the screwfeeds of the generator run.

#### HIGH WATER ALARM BELL

If the water alarm is activated, an alarm bell will sound. The actuated ball valve for water control is shut and the actuated ball valve for the drain is opened.

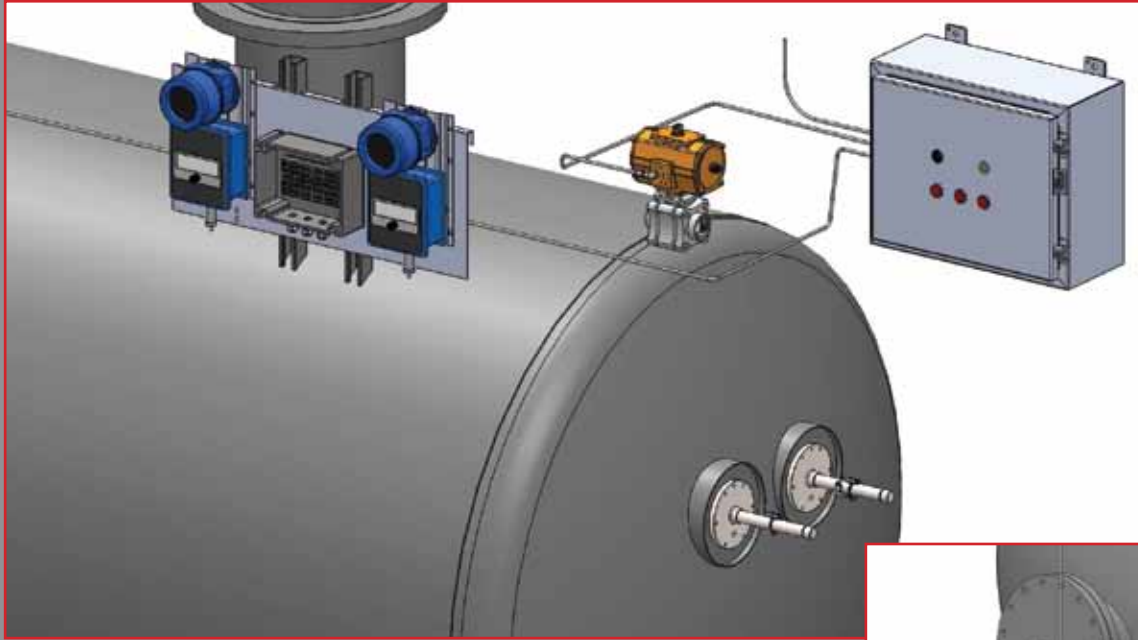
#### LOW WATER ALARM BELL

When low level is sensed, an alarm is activated and the drain valve of the generator is closed.

#### GENERATOR TEMPERATURE ALARM

Generator temperature alarm is separate control that uses a mechanical/electrical temperature probe. When the set temperature is reached, an alarm is sounded.

**REXARC—SAVING YOU TIME AND MONEY WITH INNOVATION**



## UPGRADE KIT CONTENTS

**Actuated ball valve** for the water inlet and drain

**Electronic operated controls** to replace air operated controls on pre-mounted sub-panel for ease of installation.

**Proximity switches** to replace orifice and flappers

**Relays** to retrofit the screwfeed safety interlock

**Stainless steel tubing** to connect solenoids to actuated ball valves

**Control panel** for installation in the plant electrical room

**Wiring diagrams**

## ORDERING INFORMATION

Part Number	Description
1-02-1933	Gas Generator Water/Temperature Controls Upgrade Kit



P.O. Box 7, West Alexandria, Ohio 45381 USA  
 Telephone 937-839-4604 • Fax 937-839-5897  
[www.rexarc.com](http://www.rexarc.com) • [info@rexarc.com](mailto:info@rexarc.com)

*Call today or email to find out more!*