

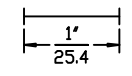
ROOF REQUIRED TO PROTECT GENERATOR AND CHARGING AREAS FROM SUN AND RAIN. IF FREEZING WEATHER PREVAILS A COMPLETE BUILDING IS REQUIRED. CARBIDE DRUMS SHOULD NOT BE STORED IN AREAS WHERE WATER CAN STAND ON FLOOR OR ON TOP OF DRUMS. IF ACETYLENE PLANT IS ENCLOSED IN A BUILDING THE ELECTRICAL PANEL MAY BE INSTALLED ON AN OUTSIDE WALL 5'-0 (1524 mm) MINIMUM FROM DOORS, WINDOWS OR OTHER OPENINGS WHERE ACETYLENE CAN BE PRESENT. ALL PLANT CONSTRUCTION TO CONFORM TO NATIONAL FIRE PROTECTION ASSOCIATION PAMPHLET #51A.

- ELECTRICAL SPECIFICATIONS**
1. ALL ELECTRICAL WIRING SHALL BE INSTALLED IN ACCORDANCE WITH NATIONAL FIRE PROTECTION ASSOCIATION PAMPHLET #51A.
 2. ALL LIGHTS SHALL BE CONTROLLED FROM A PANEL LOCATED NEAR THE ELECTRICAL CONTROL PANEL.
 3. INSTALL SEALING FITTINGS ON ALL CONDUIT LEAVING COMPRESSING PLANT BUILDING.
 4. LIGHTS IN PLANT MUST BE CLASS #1 GROUP A (CROUSE HINDS # EVA 2921 PENDANT) LOCATED 10'-0 (3048 mm) ABOVE FINISHED FLOOR EXCEPT AROUND GENERATOR & SCALE. LIGHT FIXTURE ABOVE SCALE PLATFORM AT 8'-0 (2438 mm) ABOVE FINISHED FLOOR.
 5. CONDUIT MAY BE INSTALLED IN FLOOR SLABS.
 6. ALL ITEMS ABOVE FURNISHED & INSTALLED BY ELECTRICAL CONTRACTOR.

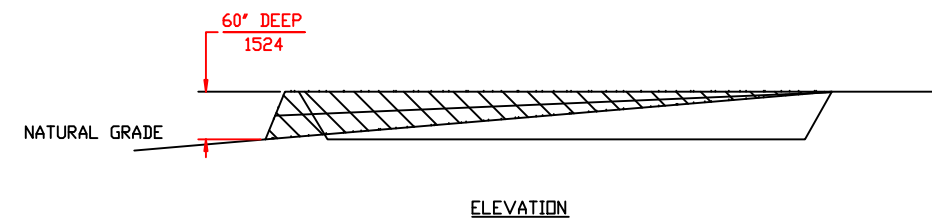
- HEATING SPECIFICATIONS**
- A. COPPER ALLOYS CONTAINING MORE THAN 65% COPPER ARE NOT TO BE USED WHERE THEY MAY BE EXPOSED TO ACETYLENE.
 - B. ALL UNIT HEATERS IN THE PLANT ARE TO BE CLASS 1 GROUP D.
 - C. HEATING SYSTEM FURNISHED & INSTALLED BY HEATING CONTRACTOR.

ALL DIMENSIONS IN FEET-INCHES ft-in
OVER MILLIMETERS. mm
DRAWING MADE TO U.S. STANDARD DIMENSIONS
AND CONVERTED TO NEAREST MILLIMETER.

FOR REPRODUCTIONS OF THIS DRAWING
USE SCALE BELOW AS REFERENCE.



TOP OF EMBANKMENT MUST BE LOW ENOUGH (25" (635 mm) MIN) BELOW ACETYLENE PLANT FINISHED FLOOR TO ALLOW SLOPE OF 1/4"/1'-0 (20 mm/1000 mm) TO DRAIN GENERATOR RESIDUE TO PONDS. LOCATE PONDS SO THAT EARTH EMBANKMENT CAN BE REMOVED TO REMOVE SLURRY WITH END LOADER ETC.



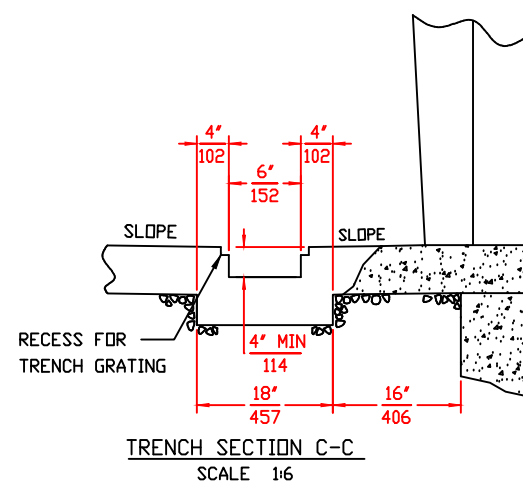
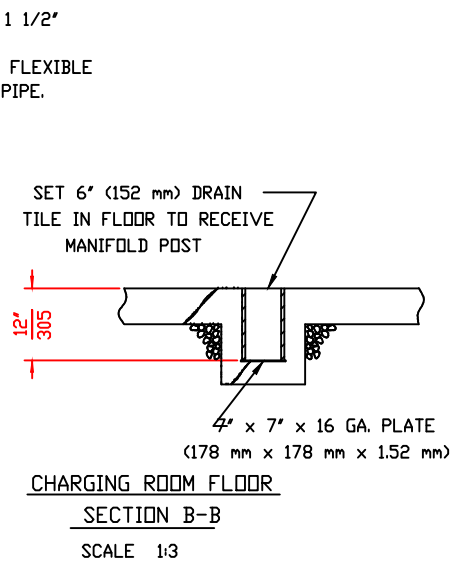
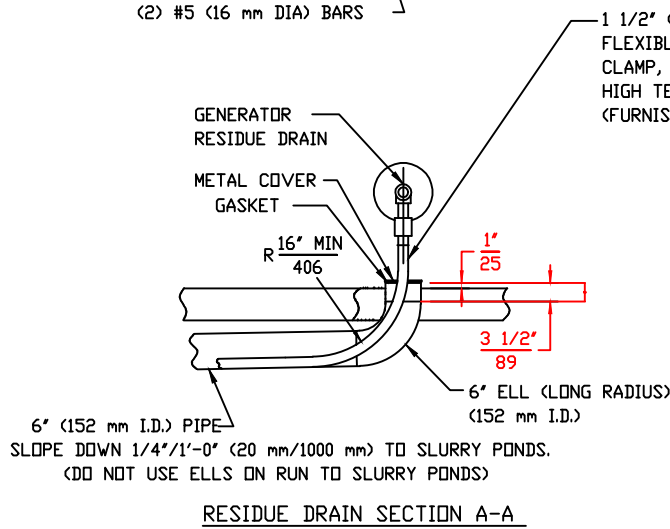
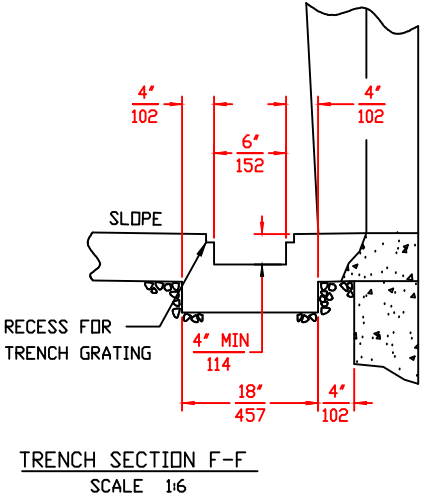
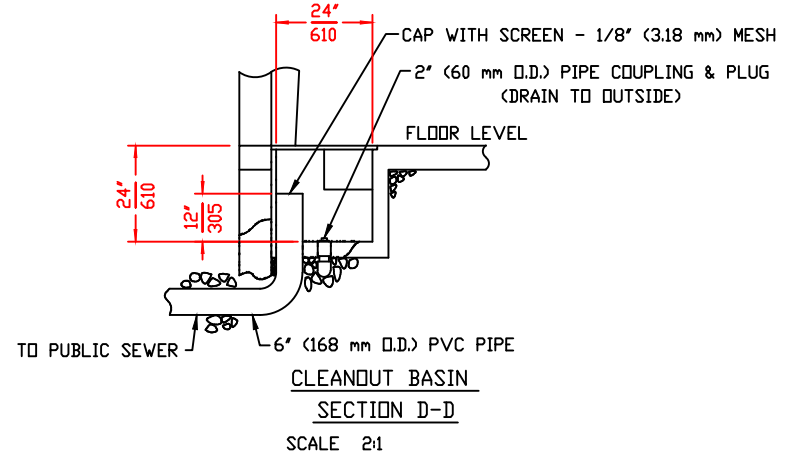
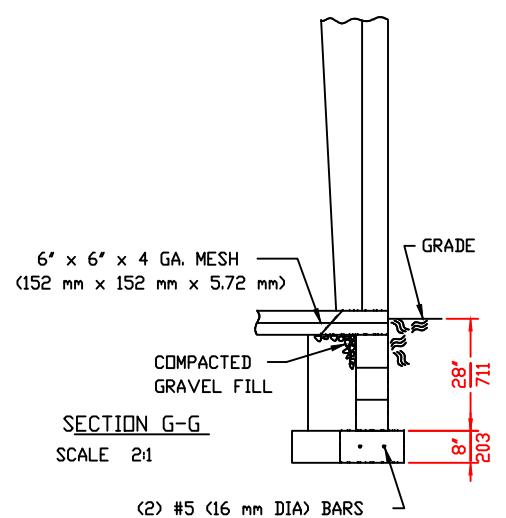
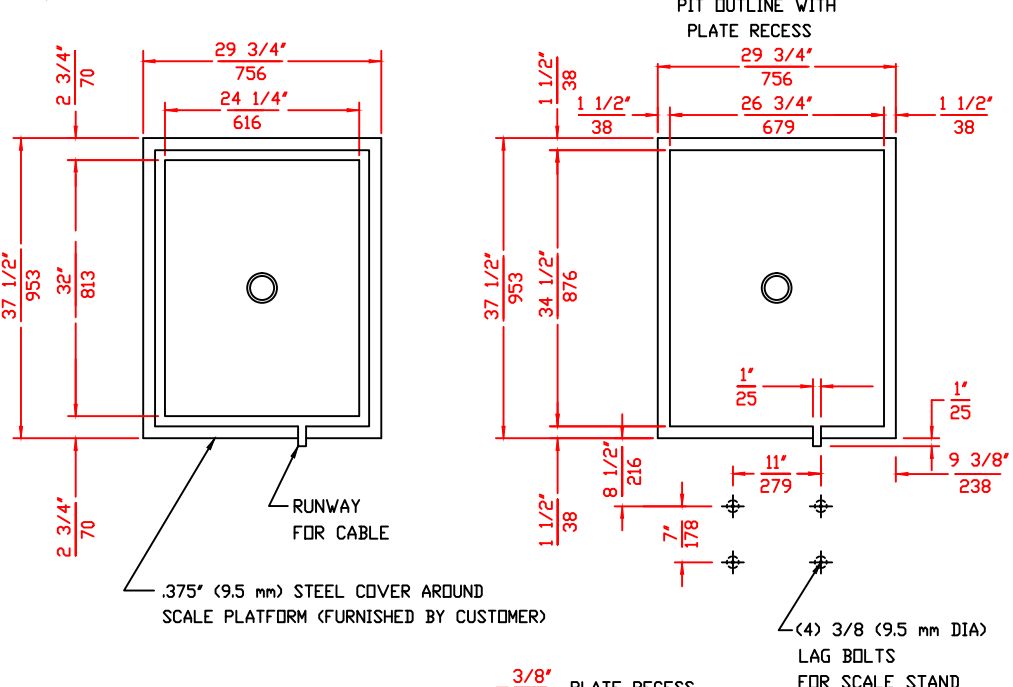
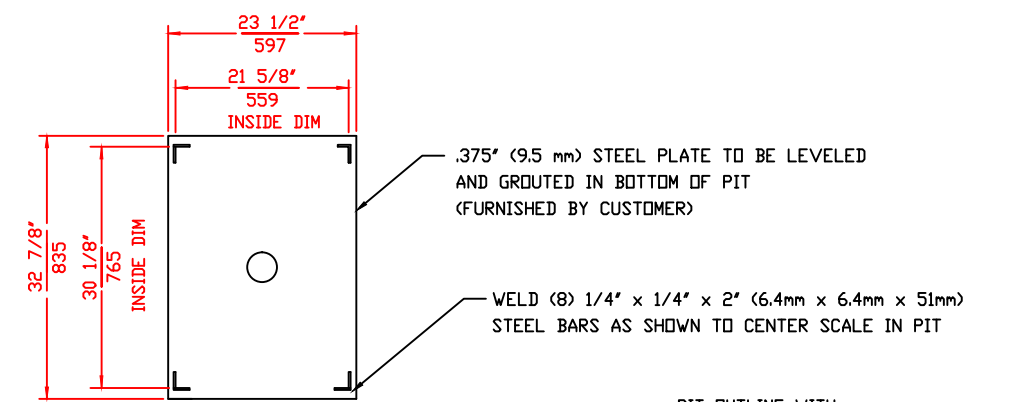
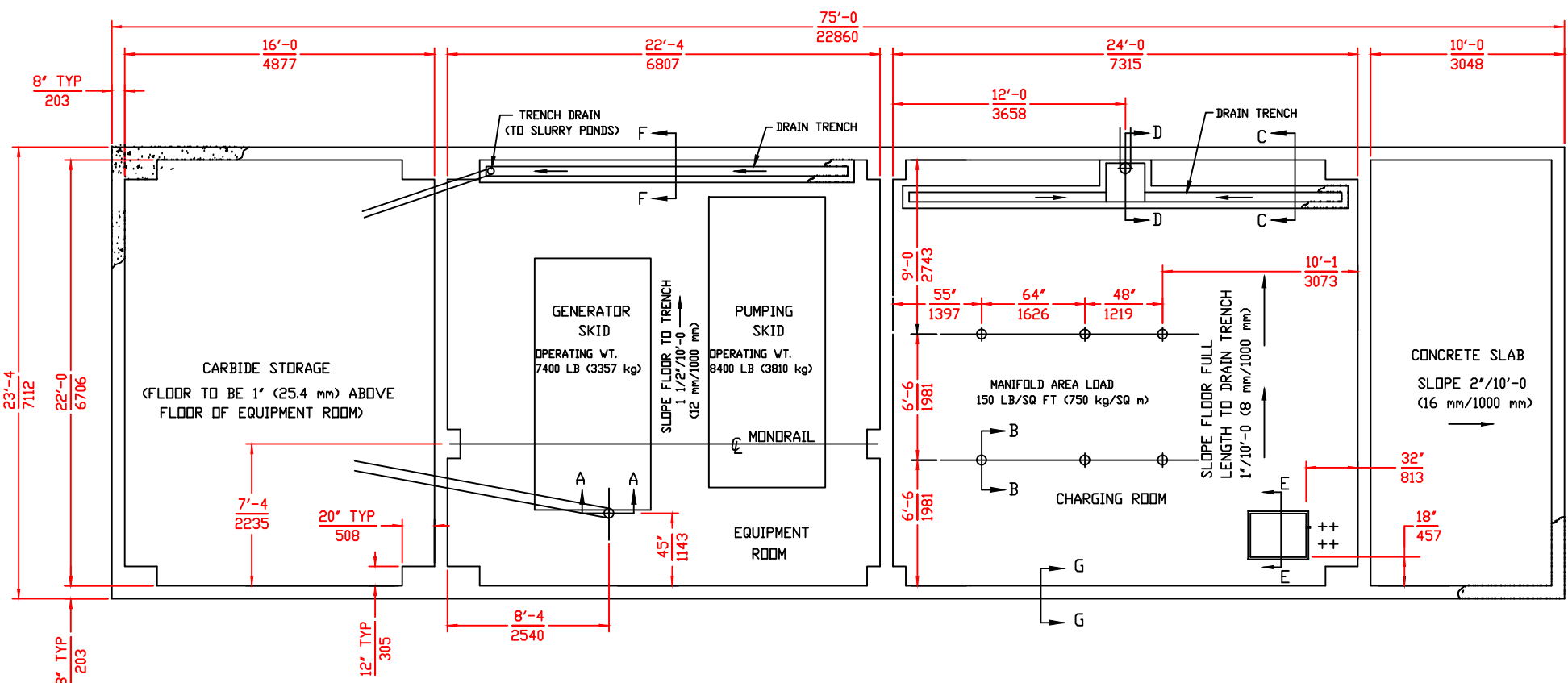
SHEET 1 OF 2
PLOT PLAN

COMPANY PROPRIETARY
REPRODUCTION OR DISCLOSURE IN ANY WAY IS PROHIBITED WITHOUT THE
EXPRESS WRITTEN PERMISSION OF REXARC INTERNATIONAL, INC.

ACETYLENE COMPRESSING PLANT
MODEL 925 SKID MOUNTED

TOLERANCE UNLESS SPECIFIED: 1/X ±1/64, XXX ±.005, XX ±.02, L S ±1/2"		
	WEST ALEXANDRIA, DRAWN BY L/J/W DATE 01/30/14	1"=10'-0 SCALE 1:120

B CO# 12997



SECTION - SHOWING STEEL PLATE, PLATE RECESS, & PIT
SCALE PIT SECTION E-E
SCALE 1:4

MONORAIL SIZE- 6\"/>

ALL DIMENSIONS IN FEET-INCHES ft-in / mm
DRAWING MADE TO U.S. STANDARD DIMENSIONS AND CONVERTED TO NEAREST MILLIMETER. (EXCEPT MILLIMETERS TO 2 DECIMAL PLACES WHERE APPLICABLE)
THESE FOUNDATION PLANS SUBJECT TO LOCAL BUILDING CODES WHERE APPLICABLE.

SHEET 2 OF 2
FOUNDATION PLAN
COMPANY PROPRIETARY
ACETYLENE COMPRESSING PLANT
MODEL 925 SKID MOUNTED

Rexarc
INTERNATIONAL, INC. OHIO, U.S.A.

WEST ALEXANDRIA, LA
DRAWN BY LJW
DATE 01/30/14 SCALE

APPROVED BY
DWG. NO. 4-03-0199H

7 B CD# 12997