

# Economical Industrial Gas Changeover Manifolds

LI



# ECONOMICAL HIGH PERFORMANCE FOR INDUSTRIAL APPLICATIONS

The Rexarc **LI** manifold automatically switches from the primary gas supply to the reserve gas supply, allowing uninterrupted gas delivery and maximum uptime on critical industrial applications.

All **LI** manifolds ship pre-mounted on a stainless steel bracket for convenient wall placement and include a preset relief valve. Adding an optional pressure switch and alarm kit enhances the system with remote monitoring capability.

## FEATURES

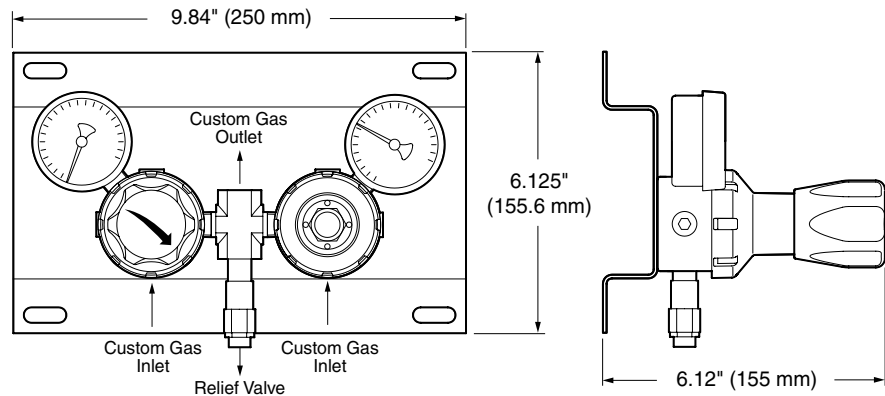
- Body and Bonnet:** Chrome-plated Brass Barstock
- Diaphragm Material:** 316L Stainless Steel
- Sealing Material:** PCTFE Teflon®
- Gas Compatibility:** Inert Gases and Oxygen only
- Maximum Inlet Pressure:** 3000 psig
- Outlet Ports:** 1/4" NPT Female
- Working Temperature.:** -4 to 150°F
- Manifold Gauges (2):** 2" dual-scale psi (black) / kPa (red)
- Line Regulator Gauge:** 2 1/4" dual-scale psi (black) / kPa (red)



Optional 110 Volt Pressure Switch and Remote Alarm

## BUILD YOUR OWN LI

Chrome-plated Brass Barstock Manifold, Gauges, and Relief Valve Assembled and Mounted to Stainless Steel Bracket



## LI ORDERING INFORMATION

### Manifold Outlet Pressure

- 070) 50-70 psig
- 100) 75-100 psig
- 150) 130-150 psig
- 200) 170-200 psig
- 500) 470-500 psig

### Line Regulator Outlet Pressure

- 040) 40 psig
- 090) 90 psig
- 130) 130 psig

### Gas Service

- 296) CGA 296 Flexible Pigtail
- 320) CGA 320 Flexible Pigtail
- 326) CGA 326 Flexible Pigtail
- 346) CGA 346 Flexible Pigtail
- 540) CGA 540 Flexible Pigtail
- 580) CGA 580 Flexible Pigtail
- 581) CGA 580 Convoluted Pigtail
- 590) CGA 590 Flexible Pigtail

### Number of Cylinders

- 2) 2-cylinder Header
- 4) 4-cylinder Header
- 6) 6-cylinder Header
- 8) 8-cylinder Header

### Optional Equipment

- 0) None
- 1) 110 Volt Pressure Switch and Remote Alarm (shown at left)

Model	Manifold Outlet Pressure	Line Regulator Outlet Pressure	Gas Service	Number of Cylinders	Options	=
LI	-	-	-	-	-	

Please call, fax, or e-mail our Customer Service Department to describe your specifications and receive pricing information.



Quality Gas Control Systems

35 East Third Street | P.O. Box 7 | West Alexandria, Ohio 45381 USA

Tel: 877.Rexarc.1 | Fax: 877.Rexarc.3 | International Tel: +1.937.839.4604 | Fax: +1.937.839.5897

www.Rexarc.com | Service@Rexarc.com